

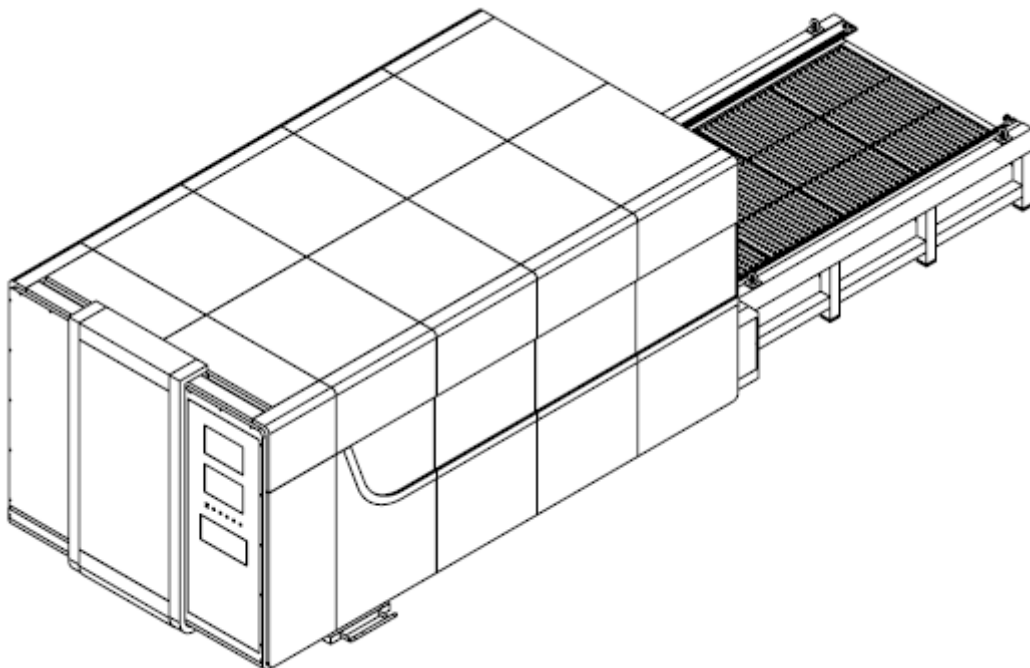
Caxtool Kft.
6791 Szeged, Dorozsmai út 157. EU
+36 62 254 826
+36 30 565 1812
d.zanocz@caxtool.hu
info@caxtool.hu

Adószám: 12871856-2-06
Adószám: HU 12871856
Bankszámla száma: 57600101-11102986
SWIFT (BIC): TAKBHUHB
IBAN: HU65 57600101 11102986 00000000
cégjegyzékszám: 06-09-014002
info:

Képgyűjtemény

Fiber lézervágó berendezés

CAXTC_LM_3015E_2kW_J_1.0 fiber lézervágó berendezés / Fiber cutting machine



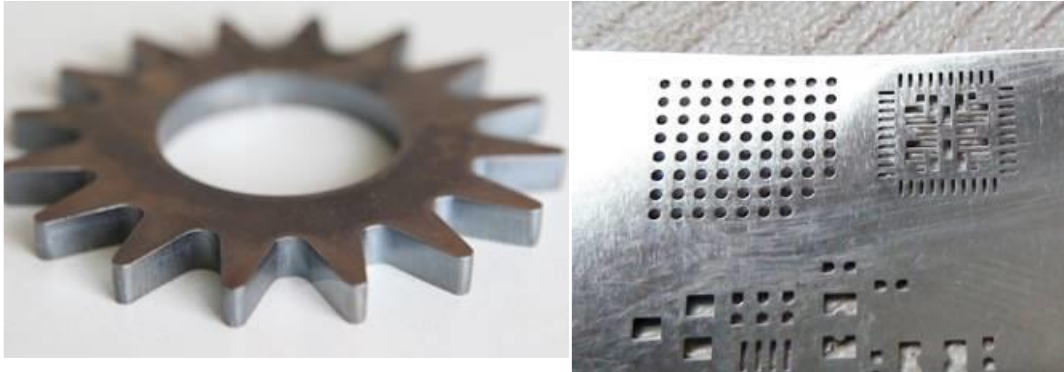


Caxtool Kft.
6791 Szeged, Dorozsmai út 157. EU
+36 62 254 826
+36 30 565 1812
d.zanocz@caxtool.hu
info@caxtool.hu

Adószám: 12871856-2-06
Adószám: HU 12871856
Bankszámla száma: 57600101-11102986
SWIFT (BIC): TAKBHUHB
IBAN: HU65 57600101 11102986 00000000
cégjegyzékszám: 06-09-014002
info:

- **Alkalmazási területek / Machine Application**

Widely used in sheetmetal processing, aviation, aerospace, electronics, electrical appliances, automobile, food machinery, textile machinery, engineering machinery, precision parts, ships, metallurgy equipment, elevators, household appliances, craft gifts, tool processing, decoration, advertising, and other fields. Professional used to cut sheet metal like carbon/mildsteel, stainless steel, aluminum alloy, galvanized sheet, electrolytic plate, titanium alloy, aluminum zinc plate, etc.



- **Lézer rezonátor / JPTCW 2000 Fiber Laser (2000W)**

JPT single mode fiber laser(500W-2000W) is the optimal combination of optical, mechanical, electrical and software components. Through the controlling ports and the controlling software, the operating status of the laser can be monitored in real time, alarm messages can be received in time, and data can be collected. The laser uses water-cooling and shelf case design, with competitive advantage like high energy conversion (electric to light), low power consumption, maintenance free, fiber delivery, and easy to assemble, it is the most suitable laser source for industrial laser welding, cutting and other applications.





Caxtool Kft.
 6791 Szeged, Dorozsmai út 157. EU
 +36 62 254 826
 +36 30 565 1812
d.zanocz@caxtool.hu
info@caxtool.hu

Adószám: 12871856-2-06
 Adószám: HU 12871856
 Bankszámla száma: 57600101-11102986
 SWIFT (BIC): TAKBHUHB
 IBAN: HU65 57600101 11102986 00000000
 cégjegyzékszám: 06-09-014002
 info:

	Unit	Parameter				
Nominal Average Output Power	W	500	800	1000	1500	2000
Beam Parameter Product	mm*mrad	<2 @50um				
Central Wavelength	nm	1080				
Spectral Width@3db	nm	<6				
Armored Cable Length	M	8			15	
Cooling Method		Water Cooled (Purified Water)				
Operating Voltage	V	Single-phase 220(AC)±10%			Three-phase 380(AC)±10%	
Maximum Power Consumption	W	1800	2700	3300	5000	7000
Switch on/off time	us	<20				
Maximum Modulation Frequency	khz	20				
Operation Temperature	°C	23 ~ 26				
Storage Temperature	°C	-20 ~50				
N.W	kg	36			83.5	
Size (W×D×H)	mm	483 × 484 × 133			483 × 800 × 178	

- **Lézerfej / Laser Cutting Head RayTools BM110 autofókusz**

Power Rating----≤3KW

Clear Aperture----28mm

Cover Glass----φ27.9mm*4.1mm

Auto focus range----+9~-14mm

Assist gas Pressure----≤25bar Weight----~4.0kg



- **Vízűtő / Cooling System S&A CWFL-2000**

S&A brand CWFL-2000 water chiller is specially applied to cool the fiber laser and optic lenses at the same time, multiple use for saving cost, space and manual move, quite convenient for the user.

S&A industrial water chiller has 2 temperature control modes as constant temperature and intelligent temperature control. Under intelligent mode, the water temperature is adjusted according to ambient temperature. You do not need to worry about the water temperature adjustment of seasonal changes.

CWFL-2000

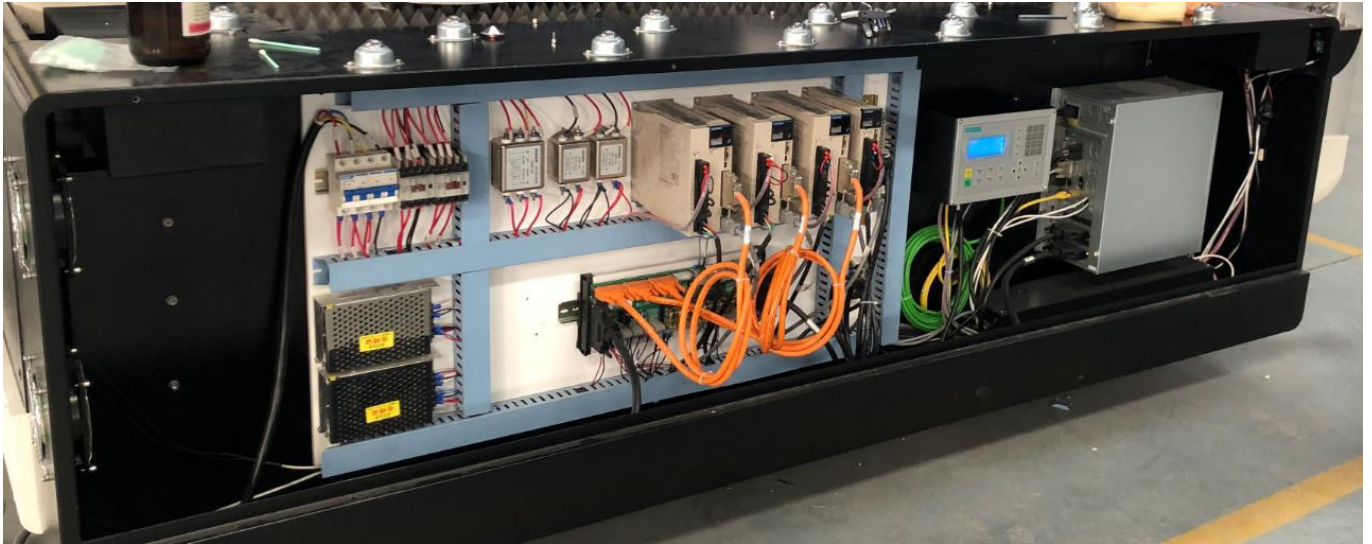


✓ FIBER
LASER CHILLER

✓ $\pm 0.5^{\circ}\text{C}$



- **CNC Control System FSCUT2000C and Software CypCut**



FSCUT2000C laser cutting control system and its **CypCut** software integrates file reading, design, output, and processing control. It's able to complete the entire process from design to processing. The software, installed in an industrial computer, provides a wealth of laser cutting processing parameters, flexible layout and cutting path editing capabilities. CypCut Control system and software in English language, supporting files: DXF, PLT, AI, LXD, etc. Drawing in the software is possible. Software is with fly cutting mode for cutting same products to save time. The nesting function automatically arranges graphs to leave minimum spaces and save materials.

- **Lineáris rendszer elemei / Transmission System**

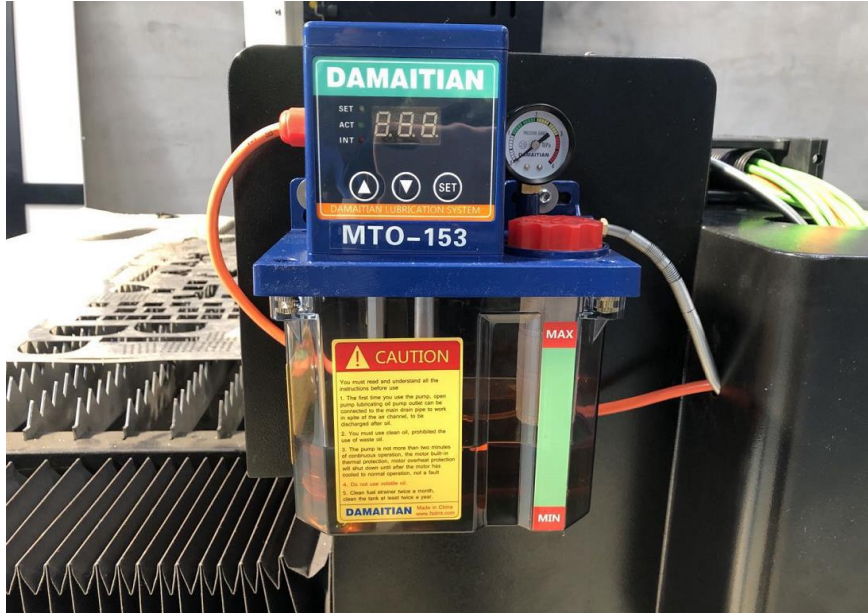


Machine is with Taiwan YYC gear rack and PMI linear rail transmission, which ensures machine high speed movement, precision and stability as well.

- **Lineáris rendszer meghajtása / Driving system**
- **YASKAWA brand servo motors and drivers.** Machine X is driven by a 1300W motor, Y is driven by two 1300W motors, and Z (laser head auto focusing) is driven by a 400W motor.



- **Vezetékrendszer kenése / Auto Lubrication**



It automatically lubricates guide rails, which ensures the machine keep moving smoothly and with good precision.

- **Füst elszívó ventilátor / Exhaust System**



A 2.2Kw centrifugal exhaust fan strongly removes the fumes and dusts caused during cutting.

- **Gázvezérlő szelep / Gas Assist Valves (Solenoid Valve, SMC Proportional Valve)**



Gas assists cutting either in cutting speed, cutting thickness or cutting effect. For example, oxygen helps to cut faster and thicker; nitrogen helps to get brighter cutting edge. The solenoid valve controls the gas blowing. Gas blows only during cutting, which saves your gas cost. SMC proportional valve controls the gas pressure and brings good cutting all the time, for example, gas pressure is lowered when cutting corners.

- **Gépágy / Machine Body**

Zárt szelvényekből hegesztett gépágy. Pipe welded machine body.





Caxtool Kft.
6791 Szeged, Dorozsmai út 157. EU
+36 62 254 826
+36 30 565 1812
d.zanocz@caxtool.hu
info@caxtool.hu

Adószám: 12871856-2-06
Adószám: HU 12871856
Bankszámla száma: 57600101-11102986
SWIFT (BIC): TAKBHUHB
IBAN: HU65 57600101 11102986 00000000
cégjegyzékszám: 06-09-014002
info:

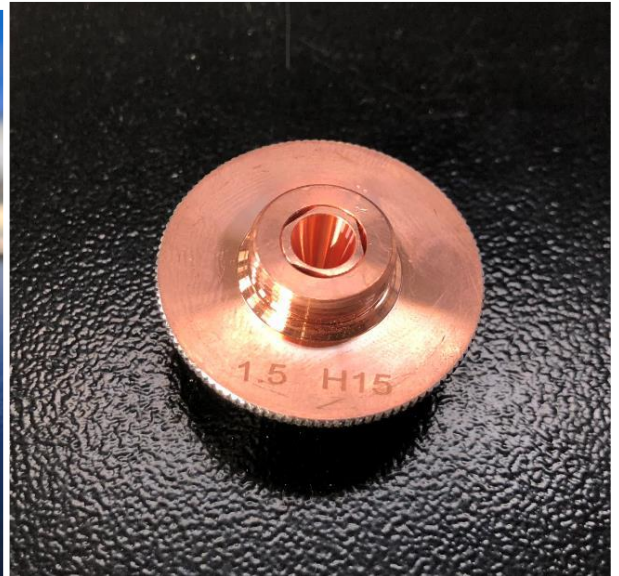
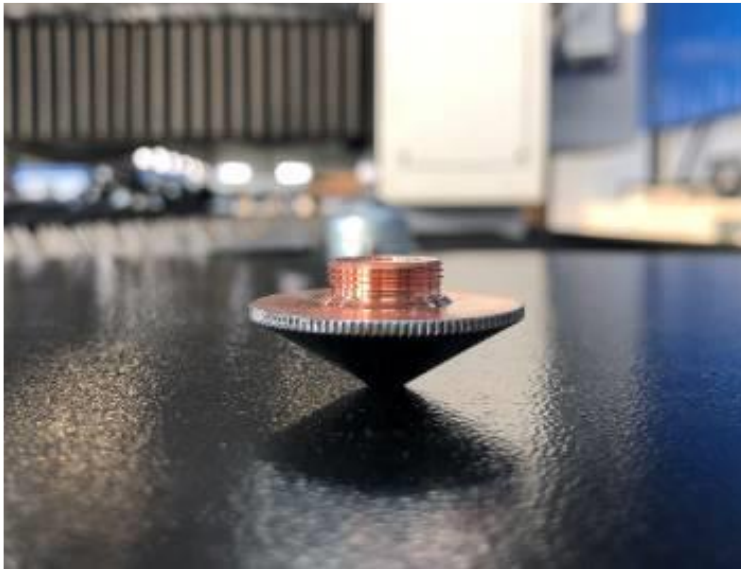
- **Gépasztal / Machine Table**

Saw-shape machine table holds metal sheet steady with little touch with metal sheet. The saws are thick and durable. In both sides of machine table, there are rolling balls for assisting sheets loading. Machine table size is 1500mm by 3000 mm. There are 2 machine tables which are exchange able. You can load material on to one table during machine is cutting on another table. After cutting, the tables they exchange. Exchange table transmission is by chain.



- **Fogyó anyagok / Spare Parts With Machine**

5 nozzles (single/double layers, 1.0/1.5/2.0 diameter for your choice) and 3 protective mirrors.



- **Lézervédelmi szemüveg / Safety goggles**

