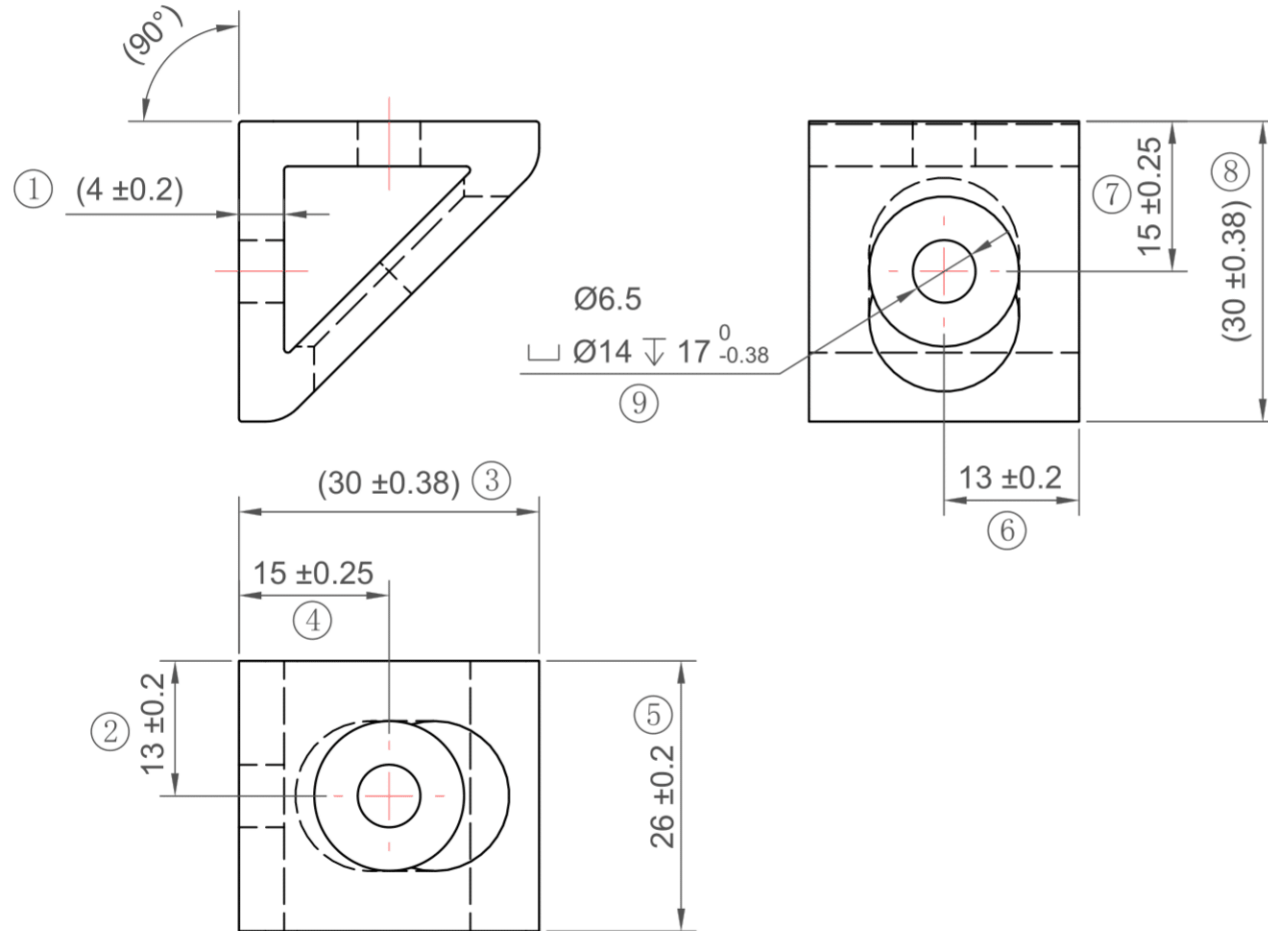


General Tolerances/Allg.Toleranzen DIN ISO2768-mk

| | | | | | |
|--|---------------|-------------|--------------|----------------|-----------------|
| | $>0.5 \leq 3$ | $>3 \leq 6$ | $>6 \leq 30$ | $>30 \leq 120$ | $>120 \leq 400$ |
| | ± 0.1 | ± 0.1 | ± 0.2 | ± 0.3 | ± 0.5 |



1. Material: 6061-T6;
2. Surface treatment: Anodized;
3. Appearance should be without lack materials, smudge and burs;