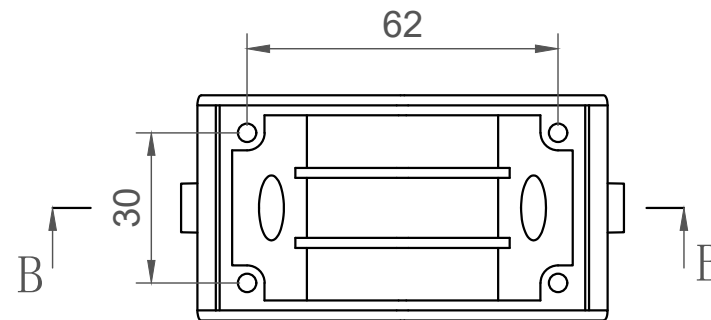
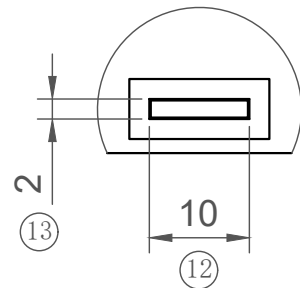
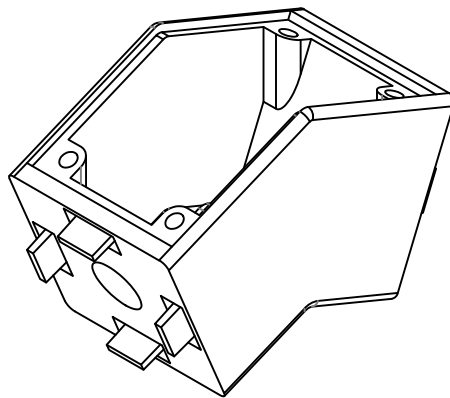
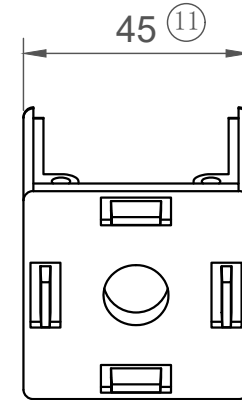
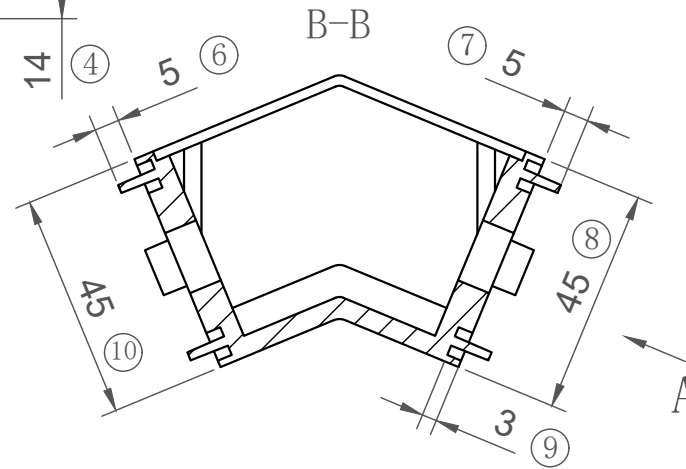
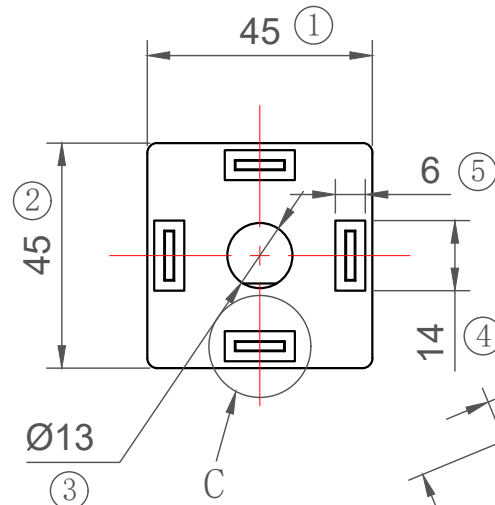
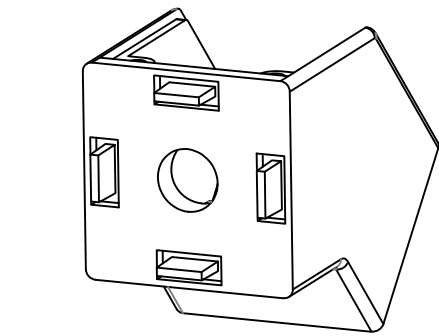


General Tolerances/Allg.Toleranzen DIN

ISO2768-mk

$0.5 \leq 3$ ± 0.1	$> 3 \leq 6$ ± 0.1	$> 6 \leq 30$ ± 0.2	$> 30 \leq 120$ ± 0.3	$> 120 \leq 400$ ± 0.5
---------------------------	---------------------------	----------------------------	------------------------------	-------------------------------



- 1. Material: Aluminum Alloy ADC12
- 2. Surface treatment: Original color grinding;
- 3. Appearance should be without lack materials, smudge and burs;
- 4. Unspecified length tolerance according to ISO 2768-M intermediate tolerance